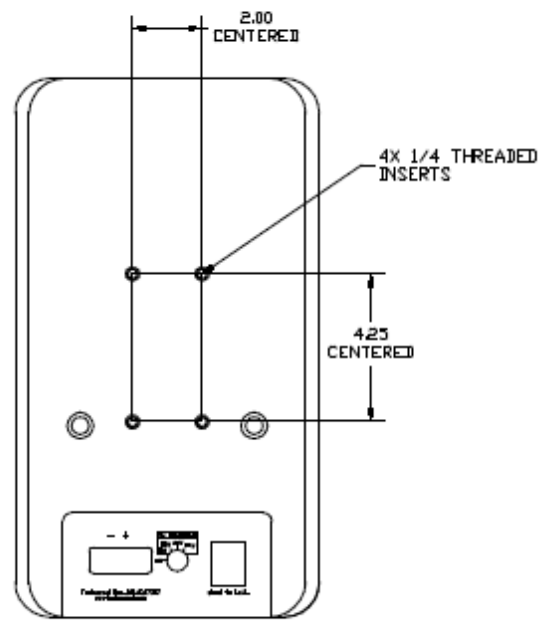
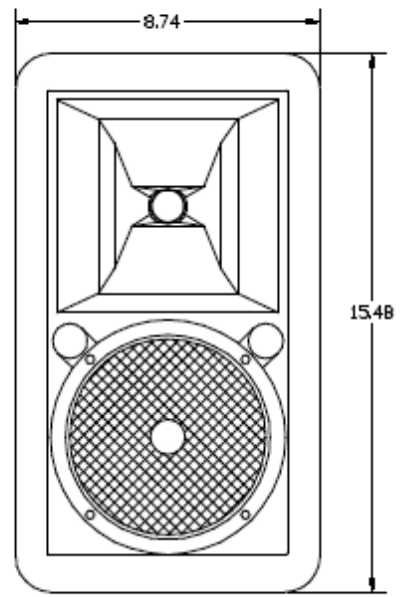


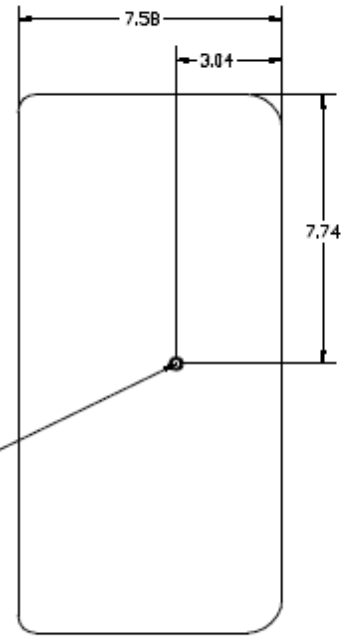
TOP



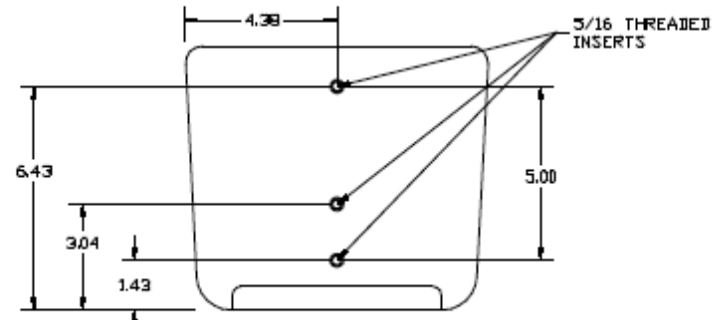
BACK



FRONT



SIDE



BOTTOM

NOTES:

- 1) MOUNTING POINTS  
5/16-18 THREADED INSERTS  
ON TOP, BOTTOM, SIDES.
- 2) MOUNTING POINTS  
1/4-20 THREADED INSERTS  
ON BACK FOR TECHNOMAD 512  
WALLMOUNT BRACKET OR EQUIV.
- 3) MOUNTING POINTS  
5/16-18 THREADED INSERTS  
ON BOTTOM FOR TECHNOMAD 417  
BOLT-ON STAND-MOUNT ADAPTER.
- 4) LOASPEAKER SHOWN WITHOUT  
WEATHERTECH 3-LAYER GRILL SYSTEM

<b>TECHNOMAD INC.</b> Boston, Massachusetts 1.800.464.7757 military.technomad.com	
SCALE: 1-1	TITLE: ABRA
DR: GVE	DATE: 88-11-17
KER:	

THIS DRAWING IS THE PROPERTY OF TECHNOMAD INC. AND SHALL NOT BE COPIED, REPRODUCED, OR USED AS THE BASIS FOR MANUFACTURE OR SALE WITHOUT WRITTEN AUTHORIZATION BY TECHNOMAD INC.